



# VP436

ab lindec

Art. no: VP436  
Page 1 (2)  
[page 61]

VALUED PRICE WALK BEHIND TROWEL

**NEW  
MODEL!**



CE

## New valued price power trowel

The AB Lindec® valued price VP436 walk behind trowel is equipped with a 6,5 Hp Honda engine (GX200). The foldable handle enables easier transport and lower freight costs. Tilt or stand the machine up with support from the handle for easier access to change blades and pan or for maintenance.

The machine is CE certified and follows all safety requirements of machine directives according to 2006/42/EG.

Transport wheels are also available as optional accessory (part no. LC436200).



**ab lindec**

Box 5,  
Fax

421 21 V.Frölunda,  
+46-31-298876

Sweden,  
export@lindec.se

Tfn +46-31-298810  
www.lindec.com

# VP436 ab lindec



### Easy to lift

The machine is equipped with two lifting points, which make it easy to handle.



### Stand or tilt up the machine

For easy maintenance and change of blades and pan.



### Proven concept

The most important parts of the machine such as gearbox, rotor and handle are the same as used on the "premium line" equipment Lindec LC series.



### Easy to move

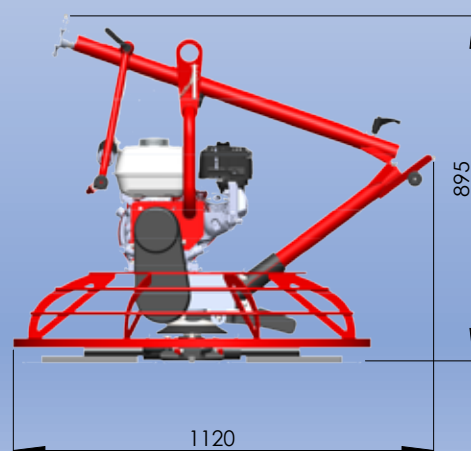
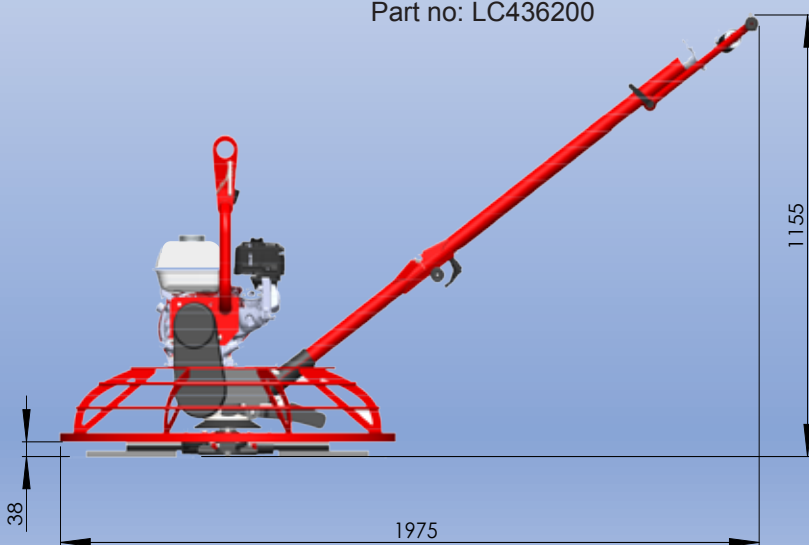
In 30 seconds the wheels are easily unfolded for smooth transport.

The transportation wheels are an accessory and also fit other walker brands.  
Part no: LC436200

Basic data	VP436
Rotor Ø blade	94 cm / 37"
Number of blades	4
Diameter of guard ring	97 cm / 38"
Length, folded	112 cm / 44"
Length, unfolded	198 cm / 78"
Height to handle	115 cm / 45"
Height to lifting hook	85 cm / 33"
RPM, min/max	60 - 125 rev/min
Weight	88 kg / 194 lb
Adjustable handle	Yes
Blade pitch control	Yes
Engine	Honda GX200

### Accessories

Finish blades	Part no: 11512
Combination blades	Part no: 11562
Plastic blades	Part no: 11575
Trowel pan	Part no: 11619
Composite pan	Part. no: 11664
Catalyst, GX160	Part no: 11081
Transporting wheels	Part no: LC436200
Lifting strap, 0.7 m	Part no: LC900852



*ab lindec® endeavours to provide correct information about technical properties and handling of its products. However, while ab lindec® has no control over the way in which the products are mixed and laid, or the conditions under which they set, ab lindec® can in no way be held responsible. ab lindec® is only responsible for the quality of the products at the time of delivery.*